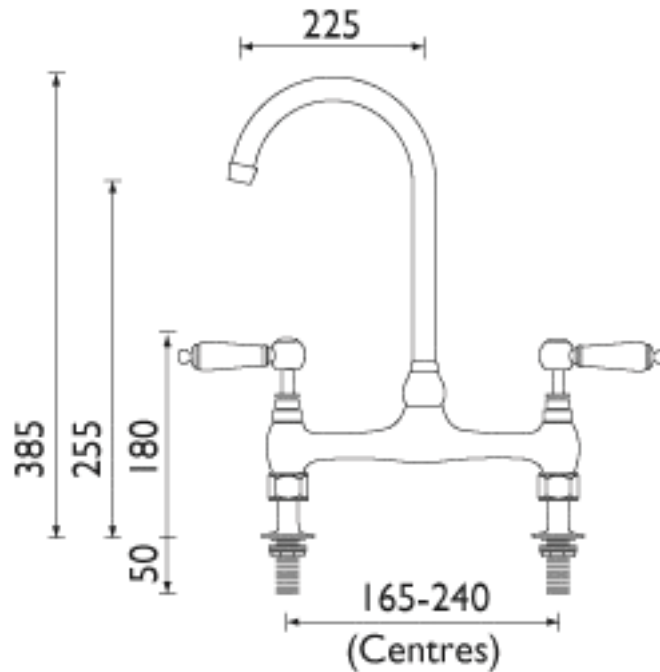


# Bridge Sink Mixer

(RE65-CP)



## Specifications (MM)



### INSTALLATION INSTRUCTIONS

Before starting the installation process you must first check that your basin or hob has 1/2" centres no more than 240mm apart and no closer than 165mm.

Assemble the tap by placing the O ring kit on the spout and pushing the spout into the tap body. The holding nut must then be tightened. Attach the porcelain handles making sure the handles are parallel with the body in the off position for both hot and cold.

Attach the mixer to the hob using the supplied fixing screws.

Plumbing the hot and cold is best done using compression nut and olives or appropriate flexible hoses.

This mixer is recommended for use between 50KPA and 500KPA with the hot and cold pressures balanced as closely as possible for optimum performance.

This mixer should be installed in compliance with your local bye-laws using a licensed plumber.

For further assistance with your Renaissance product please call the technical support line on (07) 3266 5222

*Renaissance*