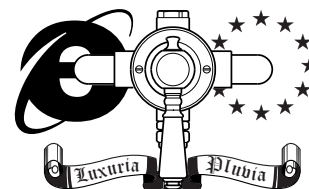


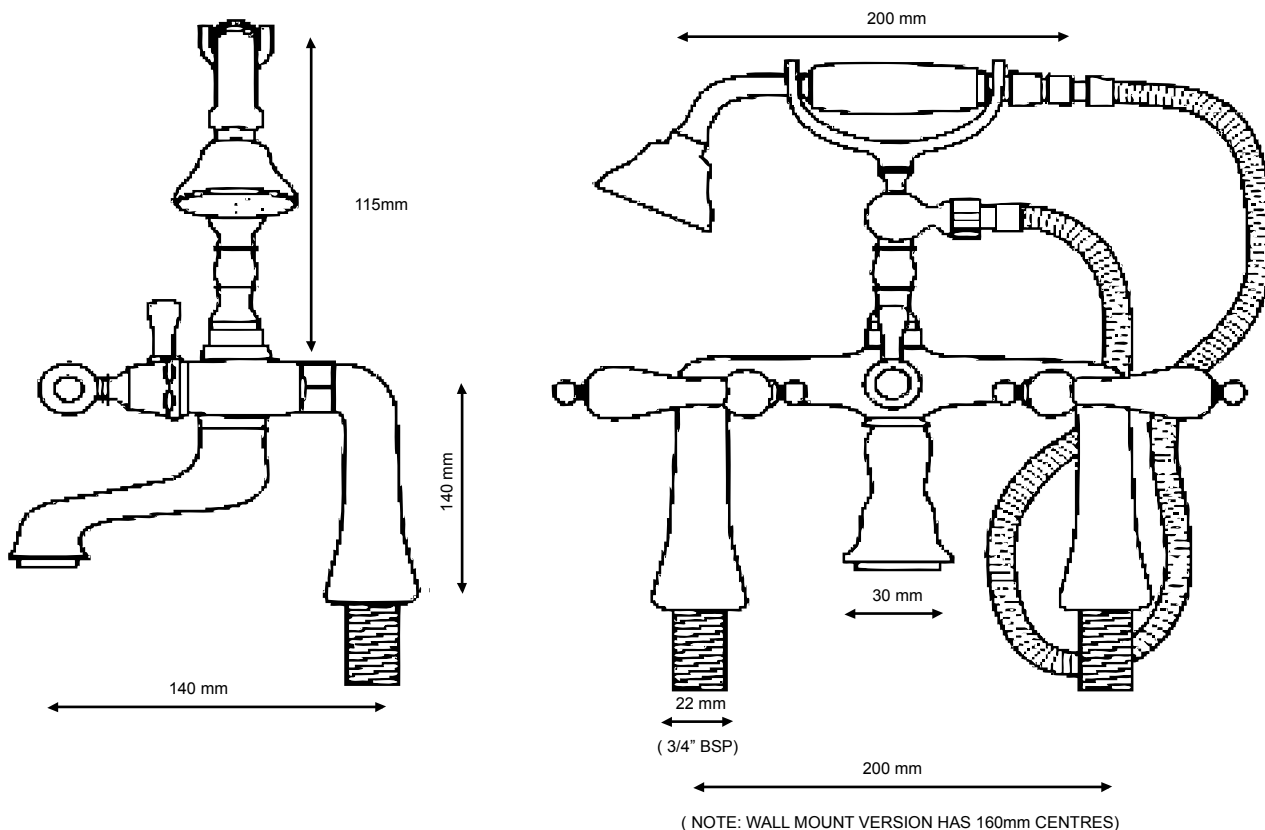
# Bath Shower Mixer

(RE30-CP)



traditionaltaps.com.au

## Specifications (MM)



## INSTALLATION INSTRUCTIONS

Put the tails of the legs through the holes in the hob/bath or chosen support for the bath shower mixer. Tighten the bolt and washer up underneath the hob so that the leg stands strong and proud. Take the body of the bath shower mixer and tighten screws on the body to the legs. Take the telephone cradle and screw to the top of the mixer body. Connect flexible hose to handpiece and bath shower mixer, and place the handpiece into the telephone cradle.

Attach the tails of the bath shower mixer to the hot and cold water supply in accordance with approved plumbing practices. Renaissance suggests attaching a nut and olive compression fitting to the tap tail, and securely inserting the tubing inside the fitting and tightening the nut and olive so that it is secure and water tight.

Adjusting the position of the ceramic handles can be done by unscrewing the hexagon handle from the body of the mixer, find the position you would like the handles to take on, then ensuring the spline is lined up with the spline house inside the handle push the handle back onto the body of the bath shower mixer. Tighten the hexagon screw back up on the handle, so that the handle is tightly fixed to the bath shower mixer body.

It is strongly recommended that isolation valves are fitted to the hot and cold water supplies to help protect you in the unlikely event of product failure.

For further assistance with your Renaissance product please call the technical support line on (07) 3266 5222

Renaissance